

Direct drive pumps

Easy-to-install canned motor pumps



Our RD series design features small canned motor centrifugal pumps powered by brushless DC motors. They are designed to be cool, quiet, compact and lightweight.



Easy-to-install canned motor pumps

Our RD series design features small canned motor centrifugal pumps powered by brushless DC motors. They are designed to be cool, quiet, compact and light-weight. A variety of features, including a seal-less design to prevent leakage, enables the pumps to meet a full spectrum of user needs, with emphasis on ease of installation, operation and maintenance.

Note: RD series is only exclusive for machine-installing application.



Specification

RD-05, RD-05H, RD-20, RD-30

Model	Connection sizes		Max. capacity	Max. head	Motor					Weight
	Suc.	Dis.			Output	Power consumption	Revolution speed	Power voltage	Rated	
	mm	mm	L/min	m	W	W	min ⁻¹	VDC		kg
RD-05	14	8	4	3	4	10	3500	24	continuous	0.4
RD-05H			6	9	18	39	6000		Intermittent	0.45
RD-20	18	18	15	8	28	60	3200		continuous	1.3
RD-30			20	10	45	77	3500		continuous	

- Operating temperature: 0 °C to 40 °C • Ambient temperature: 0 °C to 40 °C
- Note 1: The properties specified above are for a power voltage of 24 VDC. Pump performance varies according to the power voltage applied.
- 2: Operating voltage: 14 V to 24 V
- 3: Pump performance varied when s.g. exceeds 1.0 or viscosity exceeds 1 mPa·s, so please consult IWAKI;
- 4: The standard cable is 500 mm in length.
- 5: For uses in which the standard specifications are not applicable, please contact us.

Caution: "On-Off" operation is prohibited for more than 1 time/minute.

RD-12 (Power source 24 VDC Input signal 5.0 VDC)

Model	Connection (IN x OUT)			Max. capacity	Max. head	Power consumption	Rated voltage	Operating condition	Ambient temperature	Liquid temperature range	Mass
	Quick fastener	Thread	Hose (mm)								
12W	P16 x P14	NPT3/8 x NPT3/8	18 x 18	10	6	24	24	continuous	0 - 50	0 - 75	0.4
8W (Note1)				8.5	4	20				0 - 80	
5W (Note1)				7	2.5	12				0 - 85	

RD-12Z (Power source 24 VDC Input signal 5.0 VDC)

Model	Connection (IN x OUT)			Max. capacity	Max. head	Power consumption	Rated voltage	Operating condition	Ambient temperature	Liquid temperature range	Mass
	Quick fastener	Thread	Hose (mm)								
14W	P16 x P10	NPT 3/8 x NPT 1/4	18 x 10	3	9	28.8	24	continuous	0 - 50	0 - 60	0.4
9W (Note1)				2.6	6.5	21.6				0 - 70	
6W (Note1)				2.1	4.5	14.4				0 - 75	
4W (Note1)				1.7	3	9.6				0 - 80	

- Note1: Special model based on order. Please contact us for details.
- Note2: Optional cable length is 500 mm.

Compact and lightweight with a seal-less structure

The canned motor type products in our RD series are light and compact. Unlike conventional magnetic drive pumps, they do not require a large amount of space for installation. Their seal-less structure eliminates leaks and problems involving seal replacement.

Long life

A DC brushless motor is employed as the pump drive. This type of motor reduces concerns over brush abrasion, ensuring a service life as long as that of an AC motor.

Facilitating standard compliance

The RD series pumps power source voltage is classified as safety voltage (50 V or less), which allow the user to easily comply with international standards such as UL, CSA, CE and GS.

Standardized models

Unlike AC power sources, which require different voltages and frequencies depending on the country in which they are used, DC power sources use the same voltage in all areas. Because the RD series has a DC motor, the user is not troubled by motor voltage.

Flow adjustment feature

Easy flow adjustment by changing power supply voltage. For the RD-12/12Z, the external variable signal of 1-5VDC makes flow adjustment.

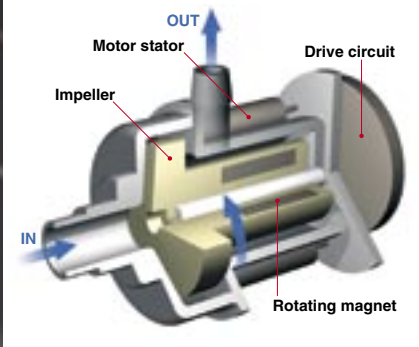
Built-in drive circuit

All you have to do is connecting the power supply to run the pump.

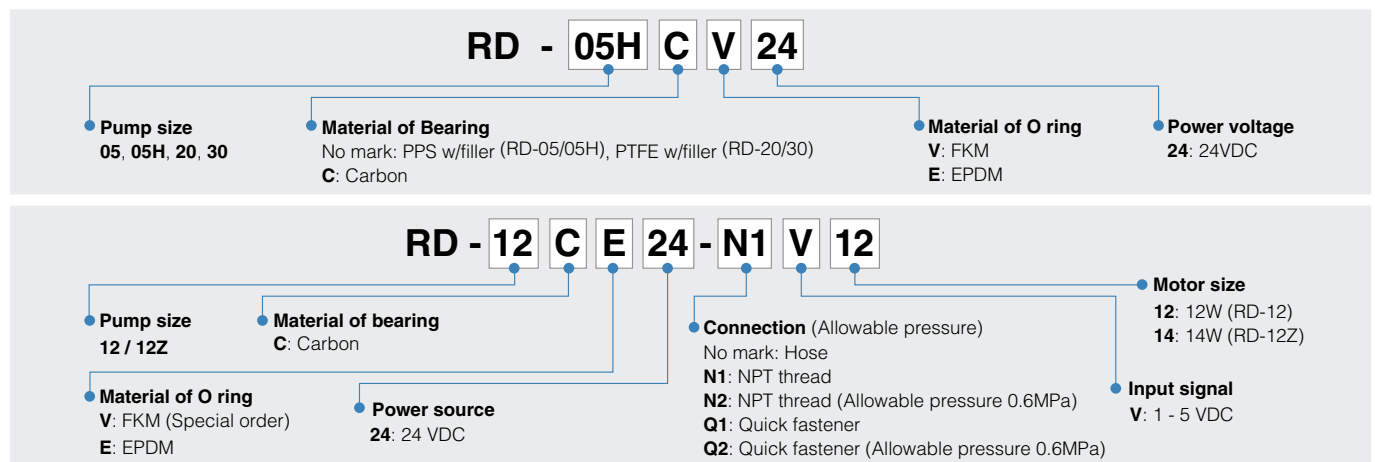
(Note) The external variable signal is required as well as the power supply for the RD-12/12Z.

Operating principle

These canned centrifugal pumps directly drive the rotor magnet incorporating an impeller. The pump chamber is completely sealed from the exterior by a casing. The impeller, driven by a rotating magnetic field, requires no shaft seal. In addition, these products have a simpler and more compact structure than pumps which have external drive magnet.



Pump identification



Construction and material

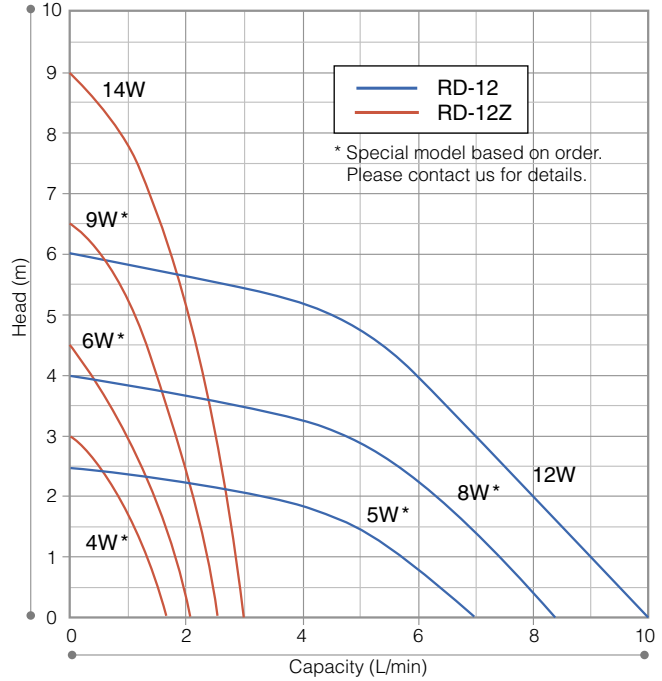
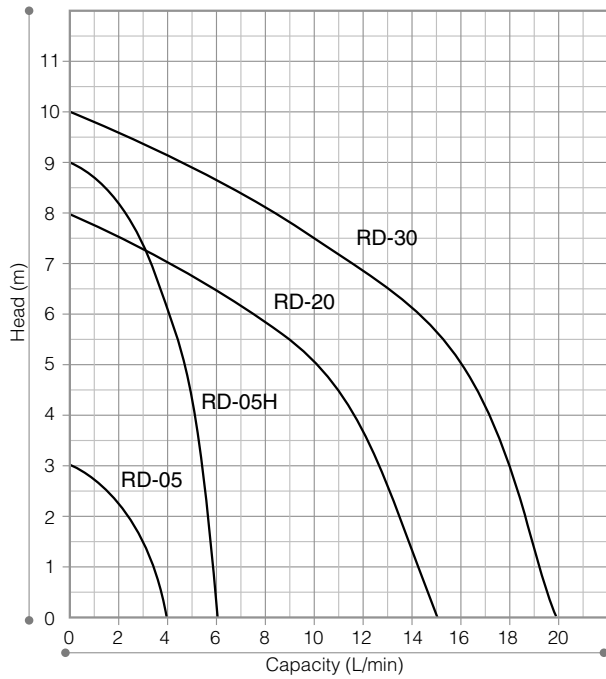
RD-05,05H

RD-20,30

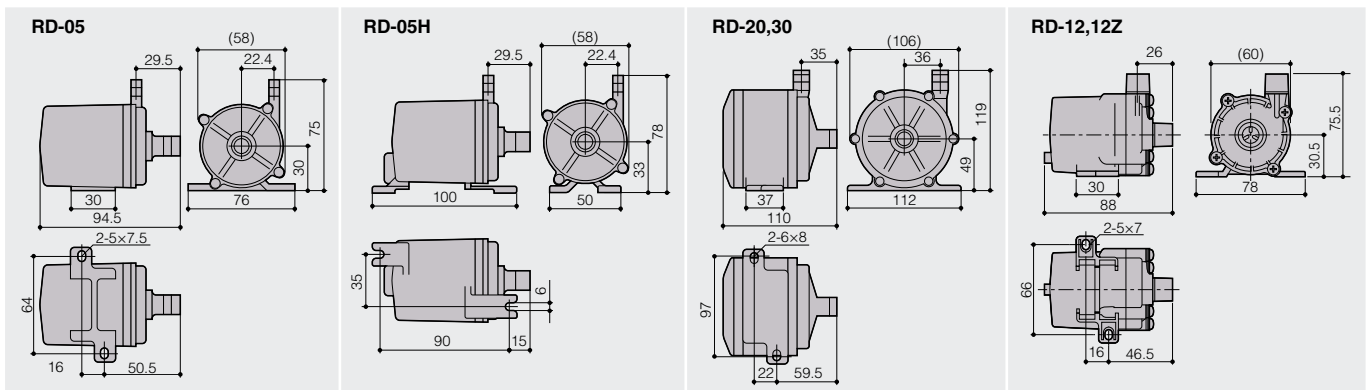
RD-12,12Z

1 Casing	PPE (RD-05,05H,20,30), GFRPPS (RD-12,12Z)
2 Rear casing	GFRPPS (RD-12,12Z)
3 Impeller	GFRPP (RD-05,05H,20,30) GFRPPS (RD-12,12Z)
4 Spindle	Alumina ceramic
5 Bearing	PPS w/filler (RD-05,05H), PTFE w/filler, Carbon (RD-20,30), Carbon (RD-12, 12Z)
6 Thrust ring	Alumina ceramic
7 O ring	FKM or EPDM

Performance curves



Dimensions (mm)



* RD-12, 12Z illustration shows thread type. Please contact us for details.

Typical applications

- Medical care: Biochemical analysis, cooling devices, poultice/low temperature therapeutic machines, cooling for laser treatment
- Physical/chemical analysis: Thermostatic devices, demineralizers, a variety of analyzers
- Automatic vending machine: Dispensers
- Photography: Automatic film developers, x-ray film developers
- Semiconductors: Cooling devices
- Surface treatment: Small-scale plating machines
- Solar power systems: Electric water heaters, solar battery collectors
- Electric cars: Radiators, heaters

www.iwakipumps.jp

IWAKI CO.,LTD. 6-6 Kanda-Sudacho 2-chome Chiyoda-ku Tokyo 101-8558 Japan TEL : (81)3 3254 2935 FAX : 3 3252 8892

EUROPE / U.S.A.

European office : IWAKI Europe GmbH	TEL: (49)2154 9254 0	FAX: 2154 9254 48
Austria : IWAKI (Austria) GmbH	TEL: (41)26 674 93 00	FAX: 26 674 93 02
Belgium : IWAKI Belgium N.V.	TEL: (32)13 67 02 00	FAX: 13 67 20 30
Denmark : IWAKI Nordic A/S	TEL: (45)48 24 2345	FAX: 48 24 2346
Finland : IWAKI Suomi Oy	TEL: (358)9 2745810	FAX: 9 2742715
France : IWAKI France S.A.	TEL: (33)1 69 63 33 70	FAX: 1 64 49 92 73
Germany : IWAKI Europe GmbH	TEL: (49)2154 9254 50	FAX: 2154 9254 55
Holland : IWAKI Holland B.V.	TEL: (31)297 241121	FAX: 297 273902
Italy : IWAKI Italia S.R.L.	TEL: (39)02 990 3931	FAX: 02 990 42888
Norway : IWAKI Norge AS	TEL: (47)66 81 16 60	FAX: 66 81 16 61
Spain : IWAKI Iberica Pumps, S.A.	TEL: (34)943 630030	FAX: 943 628799
Sweden : IWAKI Sverige AB	TEL: (46)8 511 72900	FAX: 8 511 72922
Switzerland : IWAKI (Schweiz) AG	TEL: (41)26 674 93 00	FAX: 26 674 93 02
U.K. : IWAKI Pumps (UK) Ltd.	TEL: (44)1743 231363	FAX: 1743 366507
U.S.A. : IWAKI America Inc.	TEL: (1)508 429 1440	FAX: 508 429 1386

ASIA / OCEANIA

Australia : IWAKI Pumps Australia Pty Ltd.	TEL: (61)2 9899 2411	FAX: 2 9899 2421
China		
Hong Kong : IWAKI Pumps Co., Ltd.	TEL: (852)2607 1168	FAX: 2607 1000
Shanghai : IWAKI Pumps (Shanghai) Co., Ltd.	TEL: (86)21 6272 7502	FAX: 21 6272 6929
Guangzhou : GFTZ IWAKI Engineering & Trading Co., Ltd.	TEL: (86)20 8435 0603	FAX: 20 8435 9181
Beijing : GFTZ Iwaki Engineering & Trading Co., Ltd. (Beijing office)	TEL: (86)10 6442 7713	FAX: 10 6442 7712
Korea : IWAKI Korea Co., Ltd.	TEL: (82)2 2630 4800	FAX: 2 2630 4801
Malaysia : IWAKIm Sdn. Bhd.	TEL: (60)3 7803 8807	FAX: 3 7803 4800
Singapore : IWAKI Singapore Pte Ltd.	TEL: (65)6316 2028	FAX: 6316 3221
Indonesia : IWAKI Singapore (Indonesia Branch)	TEL: (62)21 6906606	FAX: 21 6906612
Taiwan : IWAKI Pumps Taiwan Co., Ltd.	TEL: (886)2 8227 6900	FAX: 2 8227 6818
Thailand : IWAKI (Thailand) Co., Ltd.	TEL: (66)2 322 2471	FAX: 2 322 2477
Vietnam : IWAKI Pumps Vietnam Joint Venture Co., Ltd.	TEL: (84)613 933456	FAX: 613 933399

() Country codes



Caution for safety use: Before use of pump, read instruction manual carefully to use the product correctly. Actual pumps may differ from the photos. Specifications and dimensions are subject to change without prior notice. For further details please contact us.