



Always the Right Solution™

## Moyno® Edge™ Grinder Cartridge

### Gain the Edge on Grinder Cartridge Replacement Upgrade to Moyno Quality and Reliability

One of the obvious wear items on twin-shaft grinders are the cutters which operate in a tough environment, reducing a wide range of materials to manageable size. Replacement of worn cutters and mechanical seals incur downtime as well as maintenance time and expense, in addition to the purchase price of the replacement parts.

While most manufacturers have designed their twin-shaft grinders to utilize replacement grinder cartridges rather than individual components, costs can still mount up quickly.

Now, there is an alternative that can save you money! The Moyno® Edge™ grinder cartridge is a high quality replacement unit that is interchangeable with the most popular Muffin Monster® grinder models. Upgrade your grinder to Moyno quality by simply replacing the grinder cartridge. Manufactured by Moyno, Inc., the Moyno Edge grinder cartridge offers advantages that you will want to consider before purchasing another replacement cartridge.

First, consider the quality aspect. Moyno has long been recognized for manufacturing high quality progressing cavity pumps and

Annihilator™ twin-shaft grinders that have been used in a multitude of applications around the world for nearly 75 years. Designed with a keen focus on quality and thoroughly tested for assured performance and long service life, Moyno Edge grinder cartridges are backed with a full, one-year warranty to provide you with peace of mind.

The second consideration is availability. Moyno Edge grinder cartridges are stocked in 16 distributor locations throughout North America and can be shipped quickly to minimize downtime. Compare 16 stocking distributor locations to the 2 JWC Environmental® service centers. In addition, each Moyno distributor location offers trained and experienced technicians to assist with troubleshooting and provide repair services when required.

The third consideration is lower cost. The Moyno Edge is priced below the original equipment manufacturer to save you money on the purchase price of the replacement cartridge.

With readily available inventory access to high quality, interchangeable Muffin Monster® replacement cartridges at a lower price... You can't afford NOT to try Moyno Edge grinder cartridges!



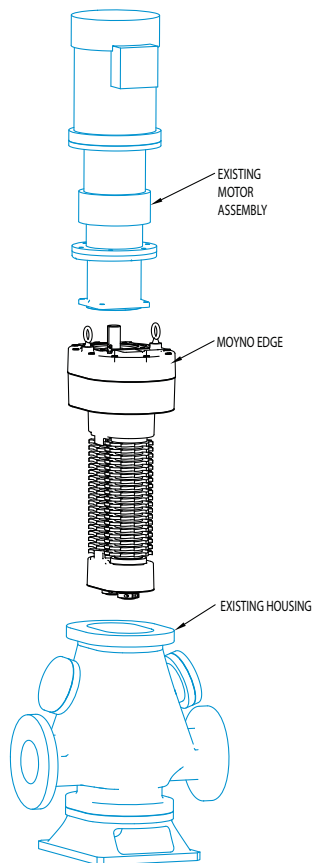
**JROBBINS  
TMYERS**

Fluid Management Group

## Feature & Benefits

- High quality design, manufacturing and materials for optimal performance and long service life
- Full one-year warranty to protect your investment
- Easily interchangeable with original equipment or JWC Environmental® replacement grinder cartridges for the specified models, requiring no modifications, adapters or any special tools
- Uses existing JWC Muffin Monster main housing, gear reducer and motor
- Patent pending, proven mechanical seal design for superior performance
- Inventory of Moyno Edge grinder cartridges is readily available at 16 distributor locations for quick delivery throughout North America
- Moyno's distributor network is connected via its proprietary NetLink™ system that provides distributors with the capability to source parts quickly, preventing out-of-stock situations to minimize your downtime

- Moyno distributors are also Certified Service Facilities having met stringent regulatory guidelines in terms of service capabilities, product knowledge and more, to ensure responsive, knowledgeable service and support



## In Need of a New Grinder?

If you need to replace your existing twin-shaft grinder with a new unit, Moyno offers a complete line of Annihilator™ grinders. By utilizing cutting teeth on the spacers, these grinders improve the cutting efficiency while decreasing the particle size processed through the unit. The patented design also eliminates the greatest cause of failure of conventional units - that of stringy material wrapping around the spacers, causing seal failure, mechanical seizure and ultimately, shaft fracturing. Moyno Annihilators dimensionally retro-fit other twin shaft grinders and are easily adaptable to existing channel and pipe works with little or no modifications. Moyno Annihilators can also be combined with Moyno progressing cavity pumps for a complete turn-key system to handle a wide range of wastes processing and transfer applications.

### Cartridge Interchangeability Guidelines

JWC Environmental®	Cartridge Interchangeable with	Moyno® Edge™
Cartridge Part #3CC04T-1200	▶ ◀	Cartridge Part #ME12C C-ATR11C
For Models:		For Models:
30004T-1204	▶ ◀	30004T-1204
30004T-1206	▶ ◀	30004T-1206
30004T-1208	▶ ◀	30004T-1208

\* Muffin Monster® is a registered trademark of JWC Environmental®. Moyno® is not a distributor or manufacturer for JWC Environmental®.



Always the Right Solution™

U.S.A. 877.4UMOYNO  
Outside U.S.A 937.327.3553

[www.moyno.com](http://www.moyno.com)



Fluid Management Group

© 2010 by Moyno, Inc.

© Moyno is a registered trademark of Moyno, Inc.

™ Edge and NetLink are trademarks of Moyno, Inc.

Moyno, Inc. is part of the Fluid Management Group of Robbins & Myers, Inc.

Printed in U.S.A.  
2M TDH 510