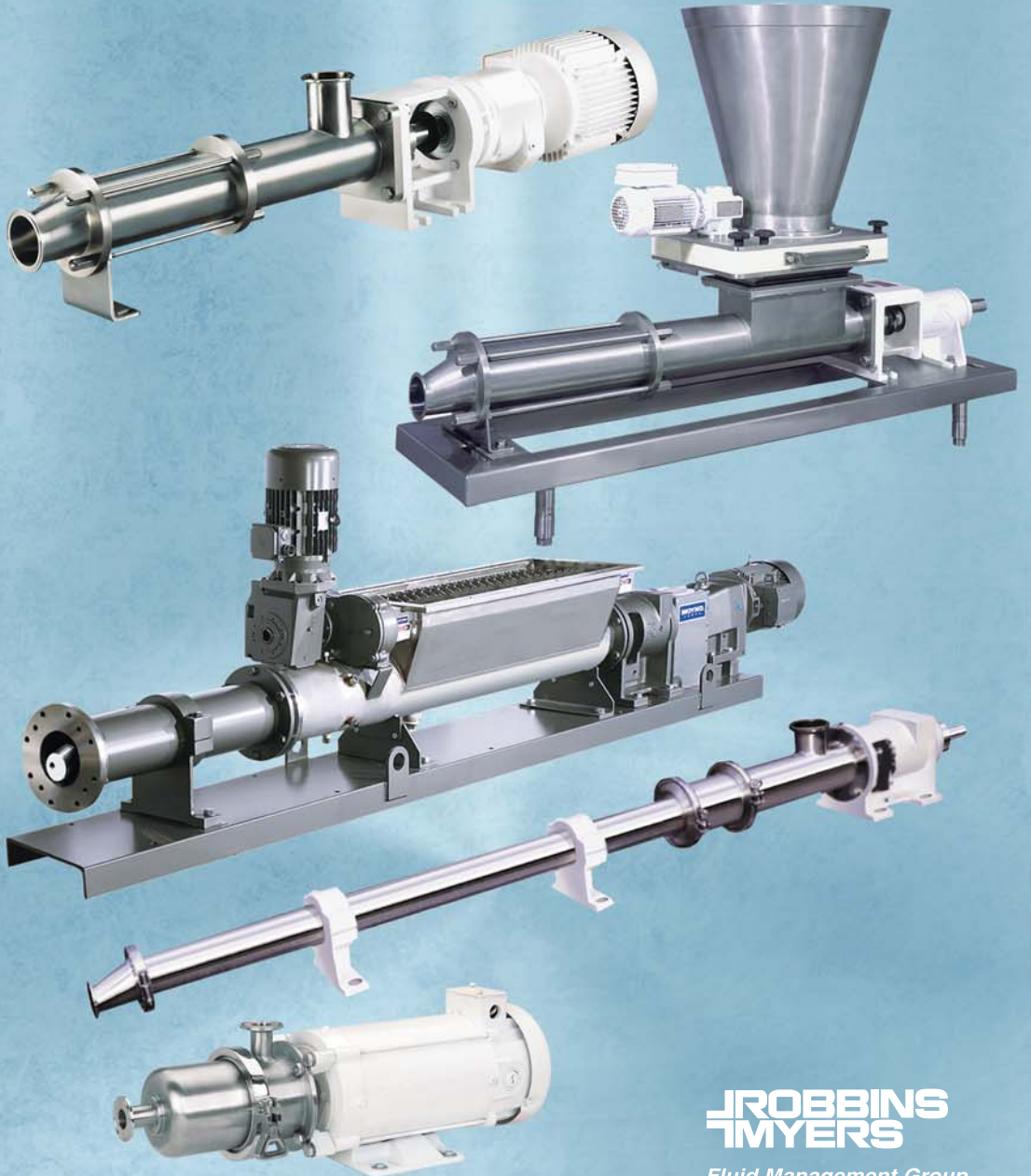




MOYNO

Always the Right Solution™

Moyno® Sanitary Products

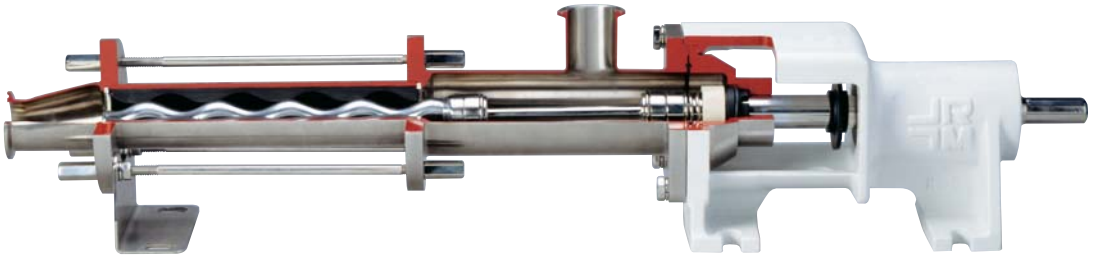


**ROBBINS
MYERS**

Fluid Management Group

Moyno® Sanitary Products

The Choice for Efficient, Cost-Effective Sanitary Pumping



Moyno has been satisfying sanitary pump application requirements for nearly 75 years. High quality Moyno Sanitary pumps are backed by extensive application experience that ensures the proper pump for your job.

Moyno® Sanitary pumps offer superior performance features with uncompromising quality, reliability and application versatility. They are ideal for any application where bacteria and contamination must be avoided and/or frequent clean-up is required.

By incorporating advanced technology, superior design and proprietary manufacturing processes, the Moyno sanitary pump line offers the best value, and the most effective pumping solutions to satisfy all of your sanitary pumping needs.

Features & Benefits

Moyno Sanitary Pumps provide exclusive performance enhancing and cost-saving features with outstanding benefits that help you increase operating efficiency, save time and money.

- Low total cost of ownership
- Quick disassembly design for easy cleaning

- Non-pulsating, metered flow - ideal for batching processes
- No valves to clog, stick or vapor lock
- Handle fluid temperatures to 400° F
- Transfer solids up to 1" in diameter
- Easy, on-site maintenance
- Cost-effectively handle thin liquids like soups and juices
- Incur minimal product degradation in shear-sensitive applications like salad dressings and salsas
- Efficiently move viscous slurries (even over 1,000,000 cps) like peanut butter, candies and jam
- Move suspended solids with minimal damage to products like diced fruits, vegetables and beef stew
- Handle corrosive applications like citric acid and vinegar
- Provide long service life in abrasive applications like soybean slurries
- Consistently handle entrained air and gases in applications like yeast and nougat

Typical Applications

Food Processing

- Bread dough and bakery products
- Crackers, cookies and fillings
- Sugar and confectionery products
- Candy, chocolate and gum

- Meat products
- Meat and poultry slaughtering and processing
- Fruits and vegetables
- Sausages and prepared meats
- Sauces, jellies and jam
- Snack food coatings
- Fats and oils
- Shortening and margarine
- Beverages
- Stem- and seed-laden fruit juice slurries
- Flavoring extracts and syrups
- Spent grain and yeast transfer
- Beer and wine

Dairy

- Dairy products
- Ice cream, yogurt and frozen desserts

Pharmaceutical/Cosmetics

- Shampoo
- Skin cream
- Pill slurries

Chemical

- Cleaning solutions
- Fertilizers
- Insecticides
- Chemical feed and metering
- Inks and paints



Moyno Sanitary High Pressure Pumps

Moyno® Sanitary High Pressure Pumps are modeled after the Moyno® 2000 series pumps, respectively the heaviest duty PC pump available in the market. The rugged, field-proven design of the 2000 series provides the characteristics necessary to handle high flow rates,

at high pressure, with high viscosity products. The Moyno Sanitary High Pressure Pump meets 3A and BISSC standards, and features available CIP capabilities for easy cleaning.

- Pressures to 600 PSI
- Flow rates to 225 GPM
- Single pump handles multi-pump applications

- Excellent particulate handling
- High abrasion resistance
- Seal is not exposed to high pressure
- Pumps entrained air and gases
- Handles high pressure at extremely low shear
- High suction lift capabilities
- Pulsation-less metered flow

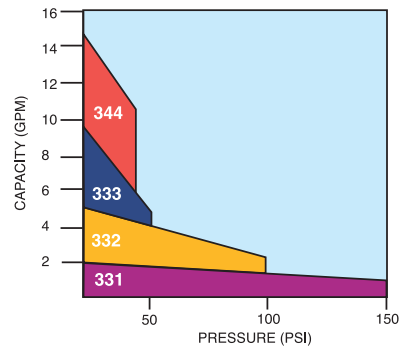


Moyno 500 Sanitary Pumps

Moyno® 500 Sanitary Pumps offer low flows and high performance in a compact, cost-effective size. Featuring 316 stainless steel materials of construction to meet 3A sanitary design standards, as well as elastomers that satisfy FDA requirements, these pumps are available in bareshaft or close-coupled configura-

tions. The exclusive Quick Disassembly Clamp makes pump disassembly and cleaning easy, reducing maintenance and labor costs.

- Accurate, repeatable, non-pulsating flow for shear-sensitive applications
- Design simplicity and premium components for reduced maintenance and replacement



- Application versatility, from clean, clear liquids, additives and flavorings to viscous and abrasive fluids
- Compact, lightweight size fits in difficult spaces for installation flexibility
- Self-priming
- Fluid temperature range to 240° F
- Capacities from .5 to 15 GPM
- Pressures to 150 PSI

Moyno AugMentor

The Moyno AugMentor® electrically driven pump stuffer handles high viscosity pumped materials. Its compact design fits a variety of Moyno pump sizes and features 300 series stainless steel construction and a #4 polished finish for maximum corrosion resistance and cleaner sanitary surfaces.

- Slow-speed, bottom-drive auger provides low product shear and minimal product smear
- Electrically driven design eliminates expensive hydraulic systems
- Positive displacement design regulates smooth metered flow or constant pressure system control
- Efficiently handles high viscosity materials over 10,000,000 cps

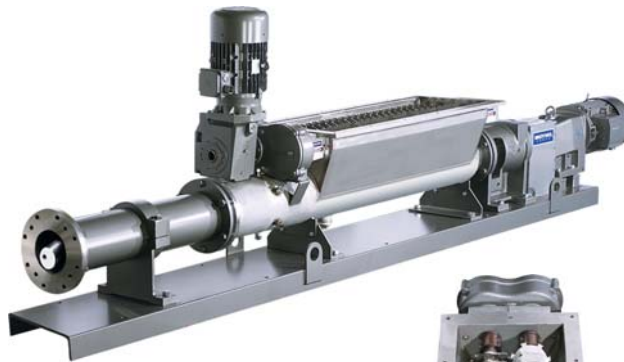


- Less downtime and lower maintenance costs
- Overhead filling for easy process operation
- Positive feed and no bridging of pumping material for ensured system operation

Moyno Chopper Hopper

The Moyno® Chopper Hopper™ is a cost-effective solution for maximizing process efficiency or handling waste by-products. It provides fast, simple and effective performance with minimal maintenance required. Integral to the heavy duty design is Moyno's proprietary gear joint, which provides the longest life of any progressing cavity pump.

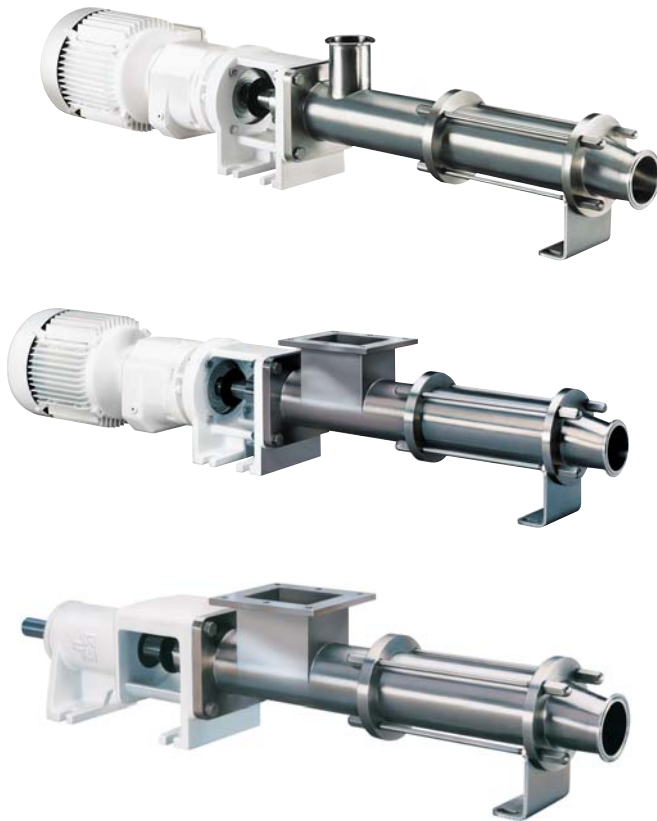
- Grinding and pumping operation in a single, compact package
- Large surge capacity hopper
- Fast process times through three stages of solids reduction
- Angled cutters for grabbing/tearing large size objects
- Additional cutter located in the extension tube for further solids reduction



- Easy disassembly of cutter shafts and pump internals
- Carbon, stainless steel or specialized materials of construction



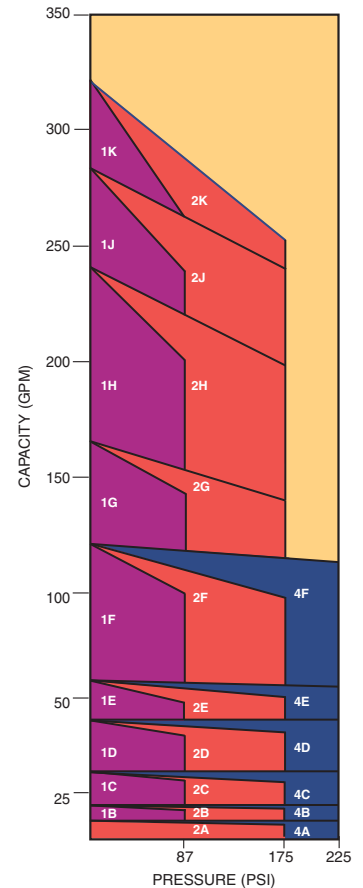
Moyno Sanitary Pumps



Moyno® Sanitary Pumps provide reliable performance, long service life and exceptional versatility. Whether your application requires exotic materials or a unique design, Moyno offers over 150 models from which to choose or will readily customize a solution to solve any process challenge.

- Available in standard flange and open throat models in both bare shaft and close-coupled configurations
- All standard pumps meet 3A and BISSC sanitary requirements
- Sanitary drive train configuration
- Capacities to 325 gpm
- Pressures to 225 psi

- 1, 2 and 4 stages
- Clamp-style, DIN and ACME thread connections available
- Heavy-duty, grease-lubricated bearings
- Integral gearmotors, variable speed drives and gear reducers available
- Clean-in-place port on suction housing available
- Single mechanical seal standard
- Double seals available
- Food grade packing available
- “Full flow” open throat design for difficult-to-feed fluids
- Auger assembly for positive pump feed of viscous materials



Materials of Construction include:

Stators (Food Grade)

- Nitrile synthetic rubber
- Natural rubber
- Fluoroelastomers
- EPDM and other materials

Rotors

- Wear surfaced, hard chrome-plated 316 stainless steel
- Non-plated 316 stainless steel
- 17-4 ph stainless steel

Wettable Pump Body Parts

- 304 series stainless steel, No. 4 finish
- 316 series stainless available

Pump Options and Accessories

Moyno sanitary pumps offer many different options, allowing customization to satisfy specific application needs. Some of these options include the following:

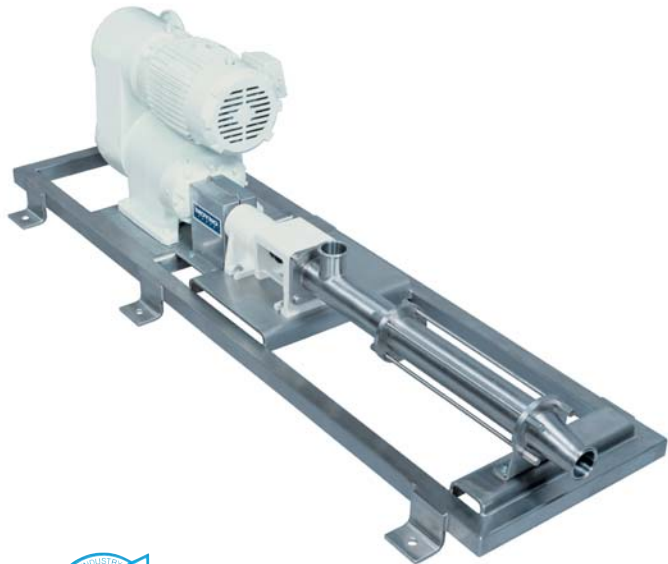
- Customized stainless steel hoppers
- Clean-in-place port
- Clean-in-place bypass valve and piping package
- Jacketing for critical process temperature control

Accessories:

- Pressure gauges
- Portable bases
- Tachometers
- Remote controls
- Unit assemblies

Sanitary Pressure Sensor and Control

- Prevents run-dry and over pressure situations
- Available in 1-1/2" to 4" diameters



Always the Right Solution™

© 2010 by Moyno, Inc.
® Moyno and AugMentor are registered trademarks of Moyno, Inc.
™ Chopper Hopper is a trademark of Moyno, Inc.
Moyno, Inc. is part of the Fluid Management Group of Robbins & Myers, Inc.

U.S.A. 877.4UMOYNO
Outside U.S.A 937.327.3553

www.moyno.com

**ROBBINS
MYERS**

Fluid Management Group

Bulletin 125-H
Printed in U.S.A.
6M PTD 310