

PS15 ORIGINAL METAL PUMP

76 mm (3") Pump
Maximum Flow Rate:
927 lpm (245 gpm)



PUMP DATA

Specifications:

Height: 816 mm (32.1")
 Width: 514 mm (20.2")
 Depth: 425 mm (16.7")
 Est. Ship Weight: Aluminum 60 kg (132 lbs)
 316 Stainless Steel 90 kg (198 lbs)
 Cast Iron 98 kg (216 lbs)
 Air Inlet: 19 mm (3/4")
 Liquid Inlet: 76 mm (3")
 Liquid Outlet: 76 mm (3")

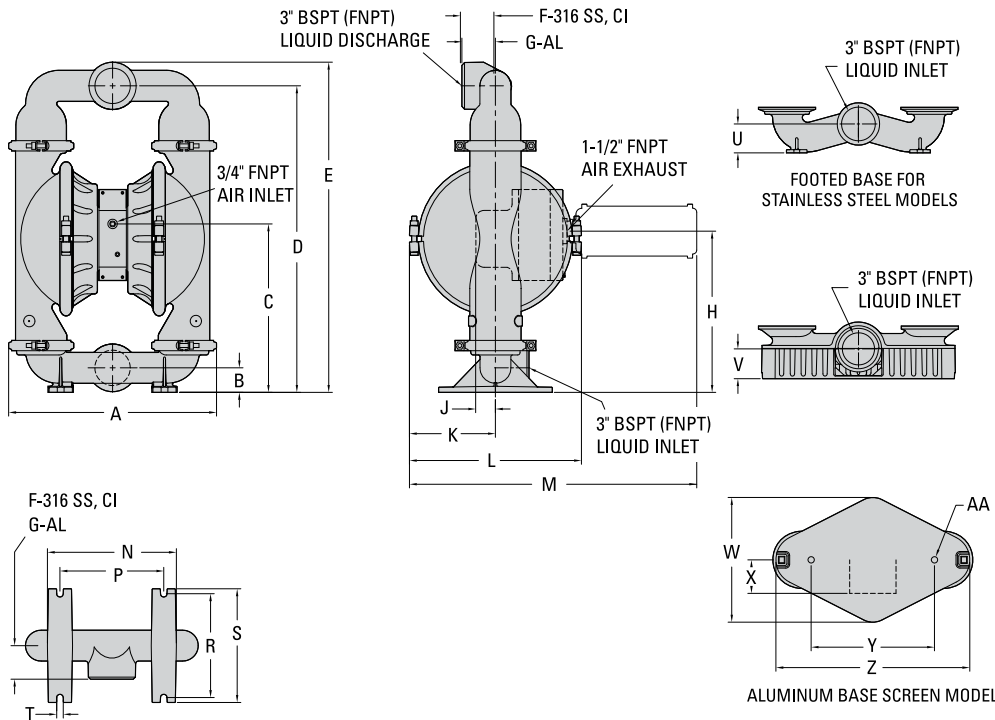
Temperature Limits:

Polypropylene	0°C to 79°C	32°F to 175°F
PVDF	-12°C to 107°C	10°F to 225°F
PFA	7°C to 107°C	20°F to 225°F
Neoprene	-18°C to 93°C	0°F to 200°F
Buna-N	-12°C to 82°C	10°F to 180°F
EPDM	-51°C to 138°C	-60°F to 280°F
Viton® FKM	-40°C to 177°C	-40°F to 350°F
Wil-Flex™	-40°C to 107°C	-40°F to 225°F
Saniflex™	-29°C to 104°C	-20°F to 220°F
Polyurethane	-12°C to 66°C	10°F to 150°F
Polytetrafluoroethylene (PTFE) ¹	4°C to 104°C	40°F to 220°F
Nylon	-18°C to 93°C	0°F to 200°F
Acetal	-29°C to 82°C	-20°F to 180°F
SIPD PTFE with Neoprene-backed	4°C to 104°C	40°F to 220°F
SIPD PTFE with EPDM-backed	-10°C to 137°C	14°F to 280°F
Polyethylene	0°C to 70°C	32°F to 158°F
Geolast®	-40°C to 82°C	-40°F to 180°F

¹Full-Stroke PTFE 4°C to 104°C (40°F to 220°F)

DIMENSIONAL DRAWING

Mouse-over letters to highlight dimensions



DIMENSIONS

ITEM	METRIC (mm)	STANDARD (inch)
A	514	20.2
B	61	2.4
C	416	16.4
D	758	29.8
E	816	32.1
F	70	2.8
G	83	3.3
H	399	15.7
J	49	1.9
K	213	8.4
L	425	16.7
M	710	28
N	319	12.5
P	307	12.1
R	257	10.1
S	281	11.1
T	16	0.6
U	71	2.8
V	74	2.9
W	308	12.1
X	83	3.3
Y	305	12
Z	480	18.9
AA	16 DIA.	0.6 DIA.

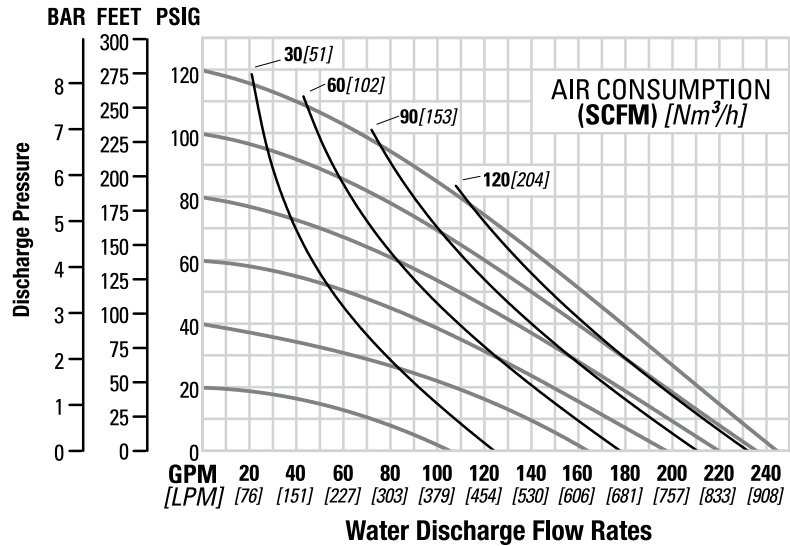
LW0031 REV. A

PS15 ORIGINAL METAL PUMP

PERFORMANCE

PS15 METAL RUBBER-FITTED

Max. Flow Rate 927 lpm (245 gpm)
 Max. Inlet Pressure 8.6 bar (125 psi)
 Max. Solids Passage..... 9.5 mm (3/8")
 Max. Suction Lift.....6.6 m Dry (21.6')
 8.6 m Wet (28.4')



PS15 METAL EZ-INSTALL TPE-FITTED

Max. Flow Rate 901 lpm (238 gpm)
 Max. Inlet Pressure 8.6 bar (125 psi)
 Max. Solids Passage..... 9.5 mm (3/8")
 Max. Suction Lift..... 6.3 m Dry (20.7')
 8.6 m Wet (28.4')

