

## PS4 ORIGINAL METAL PUMP

**38 mm (1-1/2") Pump**  
**Maximum Flow Rate:**  
**375 lpm (99 gpm)**



### PUMP DATA

#### Specifications:

Height: 429 mm (16.9")  
 Width: 368 mm (14.5")  
 Depth: 324 mm (12.8")  
 Est. Ship Weight: Aluminum 21 kg (46 lbs)  
 316 Stainless Steel 28 kg (62 lbs)  
 Cast Iron 30 kg (66 lbs)  
 Air Inlet: 19 mm (3/4")  
 Liquid Inlet: 38 mm (1-1/2")  
 Liquid Outlet: 32 mm (1-1/4")

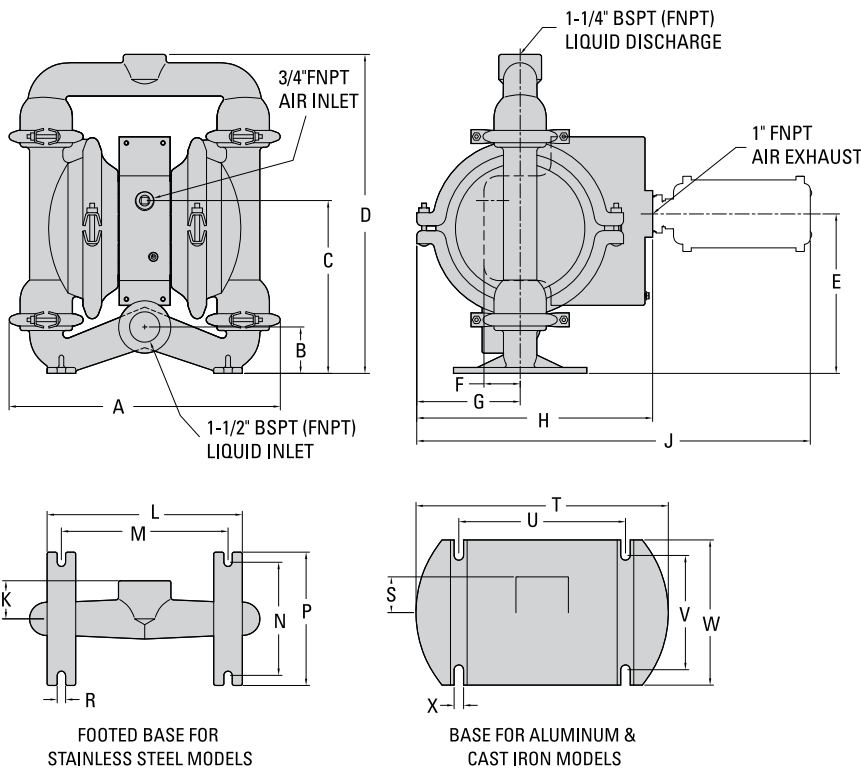
#### Temperature Limits:

Polypropylene	0°C to 79°C	32°F to 175°F
PVDF	-12°C to 107°C	10°F to 225°F
PFA	7°C to 107°C	20°F to 225°F
Neoprene	-18°C to 93°C	0°F to 200°F
Buna-N	-12°C to 82°C	10°F to 180°F
EPDM	-51°C to 138°C	-60°F to 280°F
Viton® FKM	-40°C to 177°C	-40°F to 350°F
Wil-Flex™	-40°C to 107°C	-40°F to 225°F
Saniflex™	-29°C to 104°C	-20°F to 220°F
Polyurethane	-12°C to 66°C	10°F to 150°F
Polytetrafluoroethylene (PTFE) <sup>1</sup>	4°C to 104°C	40°F to 220°F
Nylon	-18°C to 93°C	0°F to 200°F
Acetal	-29°C to 82°C	-20°F to 180°F
SIPD PTFE with Neoprene-backed	4°C to 104°C	40°F to 220°F
SIPD PTFE with EPDM-backed	-10°C to 137°C	14°F to 280°F
Polyethylene	0°C to 70°C	32°F to 158°F
Geolast®	-40°C to 82°C	-40°F to 180°F

<sup>1</sup>Full-Stroke PTFE 4°C to 104°C (40°F to 220°F)

### DIMENSIONAL DRAWING

Mouse-over letters to highlight dimensions



### DIMENSIONS

ITEM	METRIC (mm)	STANDARD (inch)
A	368	14.5
B	64	2.5
C	231	9.1
D	429	16.9
E	213	8.4
F	48	1.9
G	147	5.8
H	324	12.8
J	525	20.7
K	51	2.0
L	262	10.3
M	224	8.8
N	150	5.9
P	178	7.0
R	10	0.4
S	48	1.9
T	338	13.3
U	224	8.8
V	155	6.1
W	193	7.6
X	13	0.5

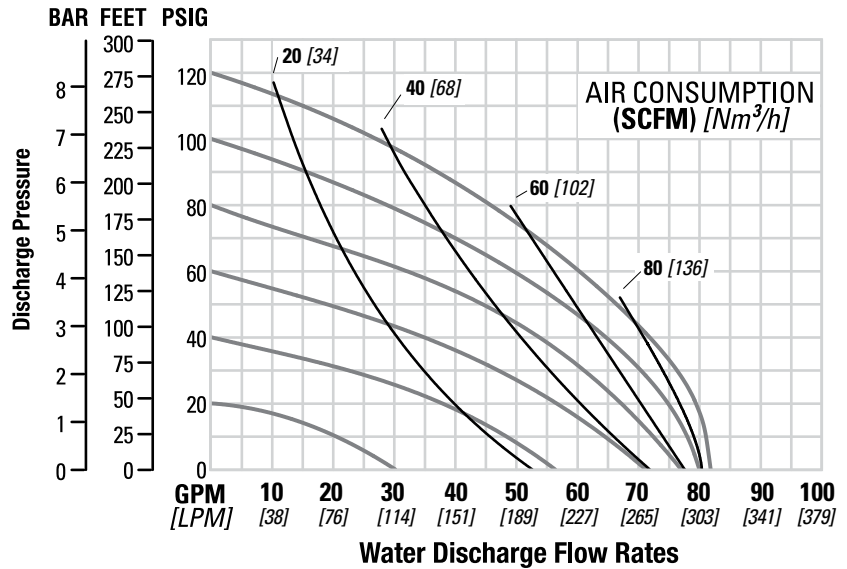
LW0012 REV. B

## PS4 ORIGINAL METAL PUMP

### PERFORMANCE

#### PS4 METAL RUBBER-FITTED

Max. Flow Rate ..... 310 lpm (82 gpm)  
 Max. Inlet Pressure ..... 8.6 bar (125 psi)  
 Max. Solids Passage..... 4.8 mm (3/16")  
 Max. Suction Lift..... 7.0 m Dry (22.9')  
 8.6 m Wet (28.4')



#### PS4 METAL EZ INSTALL TPE-FITTED

Max. Flow Rate ..... 314 lpm (83 gpm)  
 Max. Inlet Pressure ..... 8.6 bar (125 psi)  
 Max. Solids Passage..... 4.8 mm (3/16")  
 Max. Suction Lift..... 7.1 m Dry (23.3')  
 8.6 m Wet (28.4')

